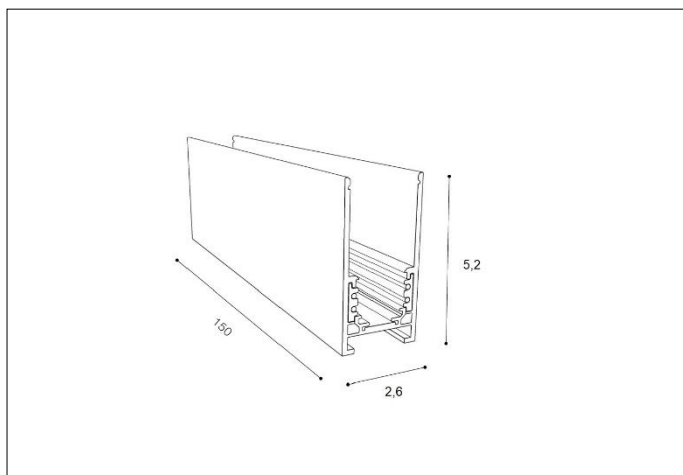


AZzardo[®]
LIGHTING

TRACK MAGNETIC52 1,5M WH
AZ4641, EAN 5901238446415



Dimensions height / width / length [cm]

Product	5,2 x 2,6 x 150
Mounting inlet:	N/A x N/A x N/A
Ceiling base:	N/A x N/A x N/A
Shades	N/A x N/A x N/A

Shipping info height / width / length [cm]

BOX 1:	5,5 x 150 x 2,6
BOX 2:	N/A x N/A x N/A
BOX 3:	N/A x N/A x N/A
Net weight [kg]	1,5
Gross weight [kg]	1,5

Energy efficiency



Azzardo Sp. z o.o.
ul. Strzeszyńska 33 60-479 Poznań,
NIP: 929-185-75-07

www.azzardolighting.com

Product Specifications

Line	TECHNICAL
Type	Track
Type of track	Magnetic
Color	White
Material	Aluminium
Light source	N/A
Type of socket	N/A
Lumens	N/A
Kelvins	N/A
Beam angle	N/A
Dimmable	N/A
CCT	N/A
RGB	N/A
RA	N/A
App remote control	N/A
Remote control	N/A
Voltage	48 V
Power	N/A
Switch location	N/A
Protection class	N/A
Tilt	N/A
Rotation	N/A